

# Vic®-Quick Riser

**For Series 768 Dry, 769 Deluge, 769 Preaction FireLock NXT™ Valves and Series 756 Dry, Series 758 Preaction and Series 758 Deluge Valves**

## PRODUCT DESCRIPTION



It is now easier than ever to install the revolutionary Victaulic FireLock® line of actuated devices into your Fire Protection system. The introduction of the Vic-Quick Riser installation is fast and easy because valves are pre-trimmed for your convenience. Vic-Quick Riser includes a shut off valve (1 1/2 - 2" sizes use a Series 728, 2 1/2 - 8" sizes use a Series 705W) for system shut-off, pressure switches, and a drain kit for ease of installation. Vic-Quick Riser is offered in 1 1/2 - 8" sizes for use with Series 756 Dry, Series 758 Preaction and Series 758 Deluge valves.

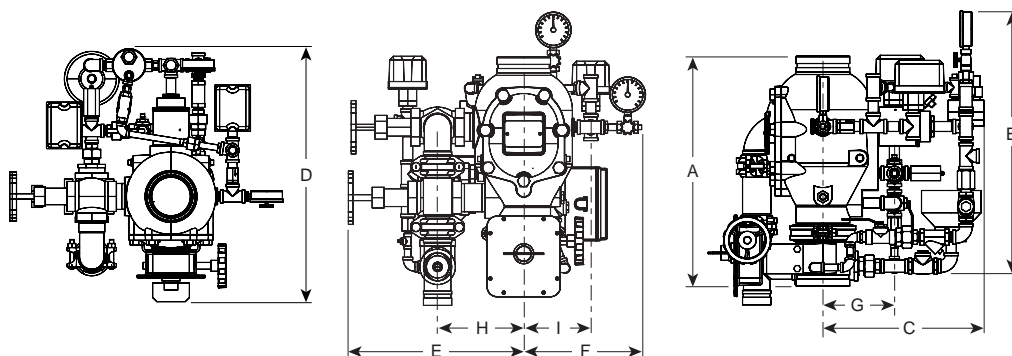
The Vic-Quick Riser can be installed into the system using Style 009 FireLock EZ™ or Style 005 FireLock rigid couplings. Once the air lines are hooked up and the drain is connected the device is ready for service. For complete installation procedures always refer to the installation manual included with each device.

**For complete fire protection valve information request submittals:**

- 30.80 – Series 768 FireLock NXT Dry Valve (4, 6, and 8" only)
- 30.81 – Series 769 Firelock NXT Deluge Valve (4, 6, and 8" only)
- 30.82 – Series 769 FireLock NXT Preaction Valve (4, 6, and 8" only)
- 30.03 – Series 756 FireLock Dry Valve (1 1/2 - 3" and 8" only)
- 30.04 – Series 758 FireLock Deluge Valve (1 1/2 - 3" and 8" only)
- 30.05 – Series 758 FireLock Preaction Valve (1 1/2 - 3" and 8" only)

## DIMENSIONS

**1 1/2 – 8" Sizes  
Series 756 and Series 758**



Nominal Size Inches/mm	Actual Outside Diameter Inches/mm	Dimensions Inches/mm										Aprx. Weight Each Lbs./kg
		A	B	C	D	E	F	G	H	I		
<b>GROOVED X GROOVED</b>												
1 1/2 40	1.900 48.3	16.58 421.1	30.50 774.7	14.00 355.6	19.00 482.6	13.00 330.2	13.00 330.2	7.00 177.8	5.00 127.0	9.00 228.6	56.0 25.4	
2 50	2.375 60.3	16.58 421.1	30.50 774.7	14.00 355.6	19.00 482.6	13.00 330.2	13.00 330.2	7.00 177.8	5.00 127.0	9.00 228.6	56.0 25.4	
2 1/2 65	2.875 73.0	16.45 417.8	30.00 762.0	14.00 355.6	23.00 584.2	12.00 304.8	12.00 304.8	7.50 190.5	6.50 165.1	5.00 127.0	100.0 45.4	
76.1 mm	3.000 76.1	16.45 417.8	30.00 762.0	14.00 355.6	23.00 584.2	12.00 304.8	12.00 304.8	7.50 190.5	6.50 165.1	5.00 127.0	100.0 45.4	
3 80	3.500 88.9	16.45 417.8	30.00 762.0	14.00 355.6	23.00 584.2	12.00 304.8	12.00 304.8	7.50 190.5	6.50 165.1	5.00 127.0	100.0 45.4	
4 100	4.500 114.3	19.82 503.4	30.00 762.0	14.00 355.6	25.00 635.0	15.00 381.0	10.00 254.0	8.00 203.2	9.00 228.6	6.00 152.4	145.0 65.8	

**NOTE: "A" dimension above is also accurate for Series 768 and Series 769 valves. Please consult submittals listed in Product Description (above) for each product's complete dimensional data.**

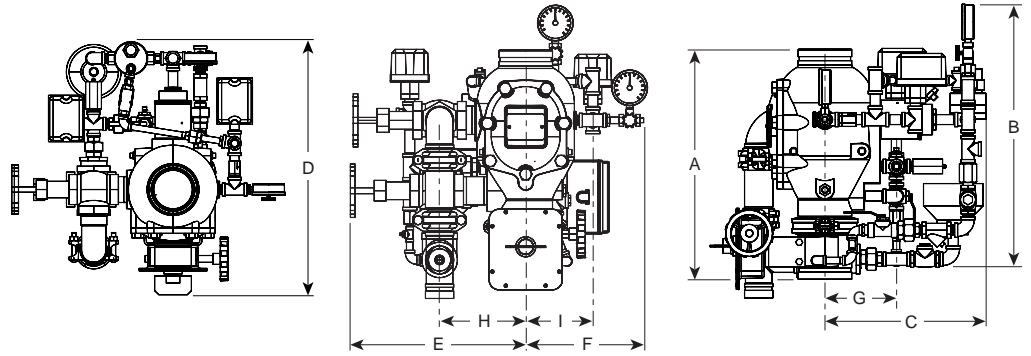
Table continued on page 2.



**DIMENSIONS**

11/2 – 8" Sizes

Series 756 and Series 758



Nominal Size Inches/mm	Actual Outside Diameter Inches/mm	Dimensions Inches/mm									Aprx. Weight Each Lbs./kg
		A	B	C	D	E	F	G	H	I	
<b>GROOVED X GROOVED</b>											
6	6.625	22.04	30.00	16.00	26.00	15.00	10.50	8.50	7.90	7.00	175.0
150	168.3	559.8	762.0	406.4	660.4	381.0	266.7	215.9	200.7	177.8	79.4
165.1 mm	6.500	22.04	30.00	16.00	26.00	15.00	10.50	8.50	7.90	7.00	175.0
	165.1	559.8	762.0	406.4	660.4	381.0	266.7	215.9	200.7	177.8	79.4
8	8.625	23.02	34.00	16.00	26.50	16.00	13.00	8.50	9.50	7.50	255.0
200	219.1	584.7	863.6	406.4	673.1	406.4	330.2	215.9	241.3	190.5	115.7

This product shall be manufactured by Victaulic or to Victaulic specifications. All products to be installed in accordance with current Victaulic installation/assembly instructions. Victaulic reserves the right to change product specifications, designs and standard equipment without notice and without incurring obligations.