

Victaulic Vortex™ Fire Suppression System



SERIES 953 EMITTER FOR USE WITH VICTAULIC VORTEX 1000 AND VICTAULIC VORTEX 1500 FIRE SUPPRESSION SYSTEMS

The Victaulic Vortex fire suppression system is a dual-fluid hybrid fire suppression system. The homogeneous suspension of inert gas mixed with ultra-fine droplets of water mist protects enclosures with two extinguishment mechanisms that are occurring simultaneously: adiabatic flame temperature cooling and lowering of the ambient oxygen level.



SERIES 953 Emitter

PATENT-PENDING

PRODUCT DESCRIPTION

The Series 953 Emitter is a patent-pending device designed to distribute the hybrid water and nitrogen mixture to the hazard at a high velocity low pressure delivery. The water and nitrogen are equally mixed at the molar level at the emitter and distributed as a homogenous suspension with great momentum. Using proprietary supersonic atomization technology, the emitter atomizes the water to <10µm forming a dense homogeneous suspension of nitrogen and water when discharged as total flooding fire suppression system.

MATERIAL SPECIFICATIONS

Body (Foil, Water Jacket): UNS C36000 or UNS S316000 Stainless or Polyvinylidene Fluoride (PVDF) Plastic with Teflon*

* Teflon is a registered trademark of Dupont Co.

Finish: Plain Brass or Stainless Steel

Finish: Plain Brass or Stainless Steel. Contact Victaulic for coatings other than standard options noted.

Orientation: Pendent for machinery spaces, pendent or sidewall for turbine enclosures - avoid direct impinging on casing

Nominal Thread Size: ¾" Male Threads (NPT)

Temperature Rating: None, Open

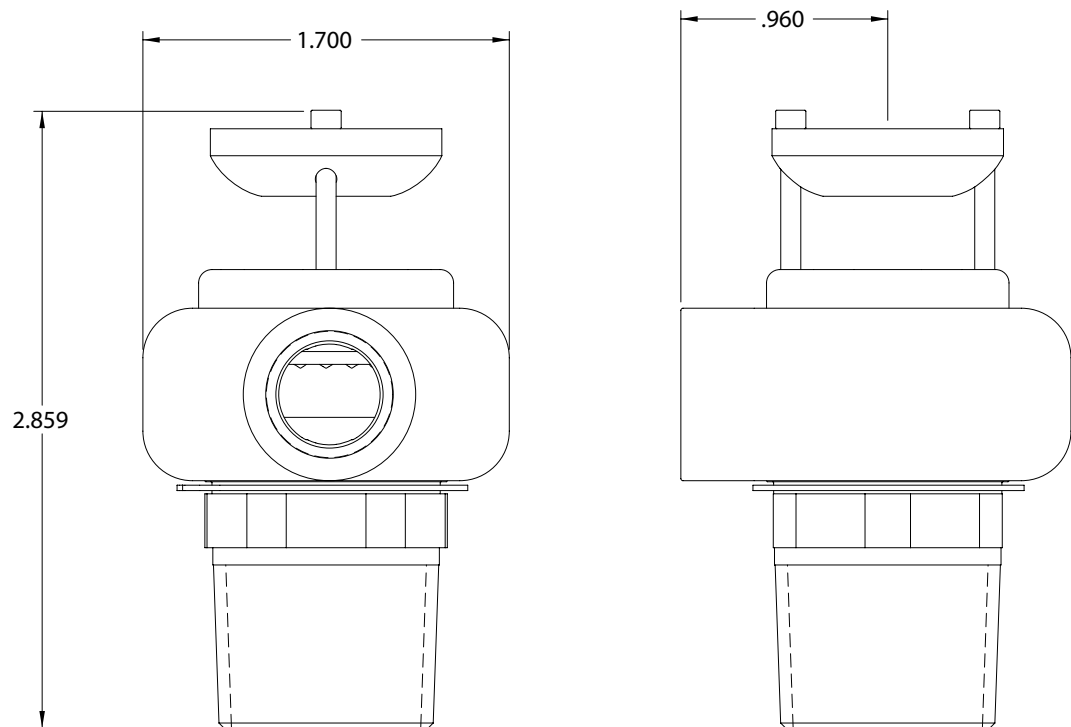
JOB/OWNER	CONTRACTOR	ENGINEER
System No. _____	Submitted By _____	Spec Sect _____ Para _____
Location _____	Date _____	Approved _____
		Date _____



Victaulic Vortex™ Fire Suppression System

SERIES 953 EMITTER FOR USE WITH VICTAULIC VORTEX 1000
AND VICTAULIC VORTEX 1500 FIRE SUPPRESSION SYSTEMS

DIMENSIONS



INSTALLATION

Reference should always be made to the applicable I-VORTEX Victaulic Design and Installation Manual for the product you are installing. Manuals are included with each shipment of Victaulic products for complete installation and assembly data.

WARRANTY

Refer to the Warranty section of the current Price List or contact Victaulic for details.

NOTE

This product shall be manufactured by Victaulic or to Victaulic specifications. All products to be installed in accordance with current Victaulic installation/assembly instructions. Victaulic reserves the right to change product specifications, designs and standard equipment without notice and without incurring obligations.

For complete contact information, visit www.victaulic.com

70.02 5464 REV B UPDATED 5/2009

VICTAULIC IS A REGISTERED TRADEMARK OF VICTAULIC COMPANY. © 2009 VICTAULIC COMPANY. ALL RIGHTS RESERVED.

70.02

