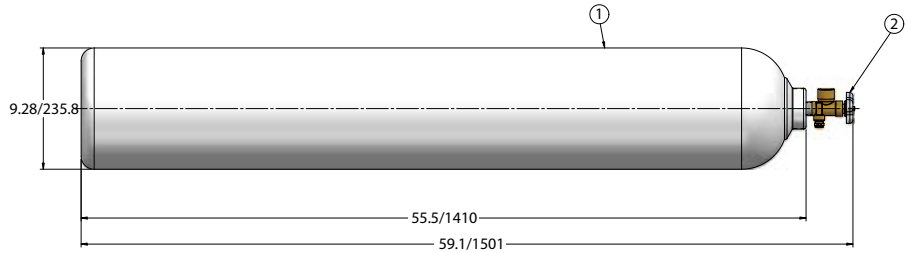


Victaulic Vortex™ Fire Suppression System



SERIES 950 FOR USE WITH VICTAULIC VORTEX 1000
AND VICTAULIC VORTEX 1500 FIRE SUPPRESSION SYSTEMS

SERIES 950 NITROGEN SUPPLY OPTIONS



1. Standard tank properties:

- Material:** Chrome-moly steel AISI 4130x
- Minimum water capacity:** 108 lbs/49 kg
- Water volume:** 2995 in³/49 liter
- Approximate cylinder weight:** 134 lbs/60.8 Kg
- DOT service pressure:** 2400 psi/165.5 Bar
- TC service pressure:** 183 bar.
- Test pressure:** 4000 psi/275.8 Bar

2. Valve properties:

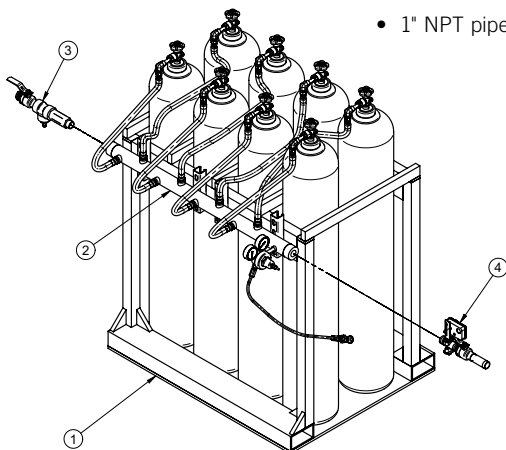
- Pressures:** Working 4,500 PSIG, Proof 7,600 PSIG, Test 5,400 PSIG, Burst 15,000 PSIG
- Pressure Relief:** Integrated Pressure Relief disc at 4000 psi
- Temperatures:** Operating = -50°F min/130°F max, Storage = -65°F min/155°F max.
- Leak rate:** Internal/external 1x10⁻³ atm cc/s @ 5,400 psig.
- Life cycle:** 5,000 cycles minimum.
- Cv flow factor:** Standard .41.
- Standards conformance:** CGA V-9, CGA S1.1, CGA V-1, ISO 10297, EN 849, AS2473.

Note: All cylinder assemblies shall be piped using Victaulic Approved manifold hoses. Through CGA 580 Connections, number of cylinders for a Vortex Installation dependent upon hazard size and minimum Discharge time required.

SERIES 950 MANIFOLD ASSEMBLY, NITROGEN

4, 6, and 8 port assemblies available. Includes:

- Manifold
- Impermeable hose assembly with swivel assembly, ¼" NPT bottom, 3000psi
- 1" NPT pipe plug (3000psi rated)



- 1 - Cylinder Rack
- 2 - Cylinder Manifold with Regulator Option
- 3 - Manifold Fill Assembly
- 4 - Manifold Isolation Switch Assembly

JOB/OWNER

System No. _____
Location _____

CONTRACTOR

Submitted By _____
Date _____

ENGINEER

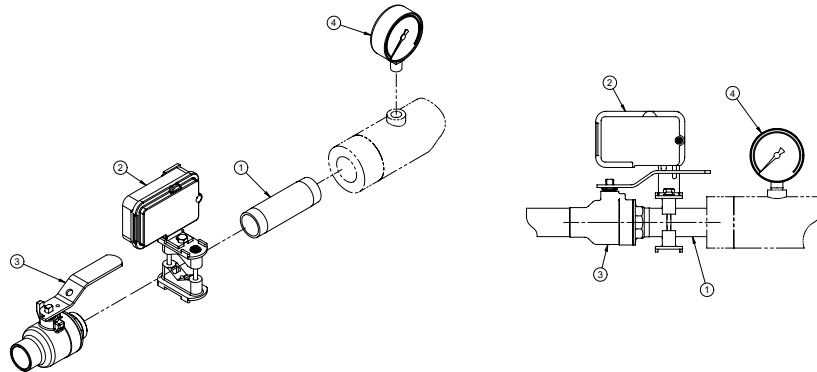
Spec Sect _____ Para _____
Approved _____
Date _____

Victaulic Vortex™ Fire Suppression System

**SERIES 950 FOR USE WITH VICTAULIC VORTEX 1000
AND VICTAULIC VORTEX 1500 FIRE SUPPRESSION SYSTEMS**

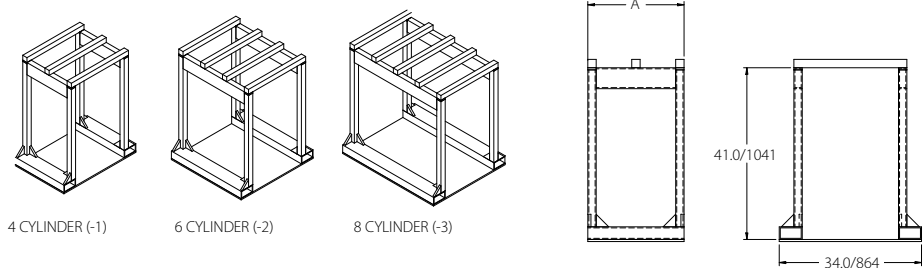
**SERIES 950 SWITCH ASSEMBLY FOR
NITROGEN ISOLATION**

- Includes:
1. Nipple, close pipe, 1" NPT x Schedule 160, plain or galvanized steel
 2. Supervisory Switch
 3. Universal Ball Valve for 1" Ball Valve
 4. Gauge, Valve, Ball, 1" FPT x 1" FPT (Hi-Pressure with Locking Handle Kit)



**SERIES 950 NITROGEN TANK STORAGE
AND MOVEMENT RACKS**

Racks available for 4, 6 and 8 tank groupings, with and without casters.



INSTALLATION

Reference should always be made to the applicable I-VORTEX Design and Installation Manual for the product you are installing. Handbooks are included with each shipment of Victaulic products for complete installation and assembly data.

WARRANTY

Refer to the Warranty section of the current Price List or contact Victaulic for details.

NOTE

This product shall be manufactured by Victaulic or to Victaulic specifications. All products to be installed in accordance with current Victaulic installation/assembly instructions. Victaulic reserves the right to change product specifications, designs and standard equipment without notice and without incurring obligations.

For complete contact information, visit www.victaulic.com

70.04 5466 REV B UPDATED 5/2009

VICTAULIC IS A REGISTERED TRADEMARK OF VICTAULIC COMPANY. © 2009 VICTAULIC COMPANY. ALL RIGHTS RESERVED.

